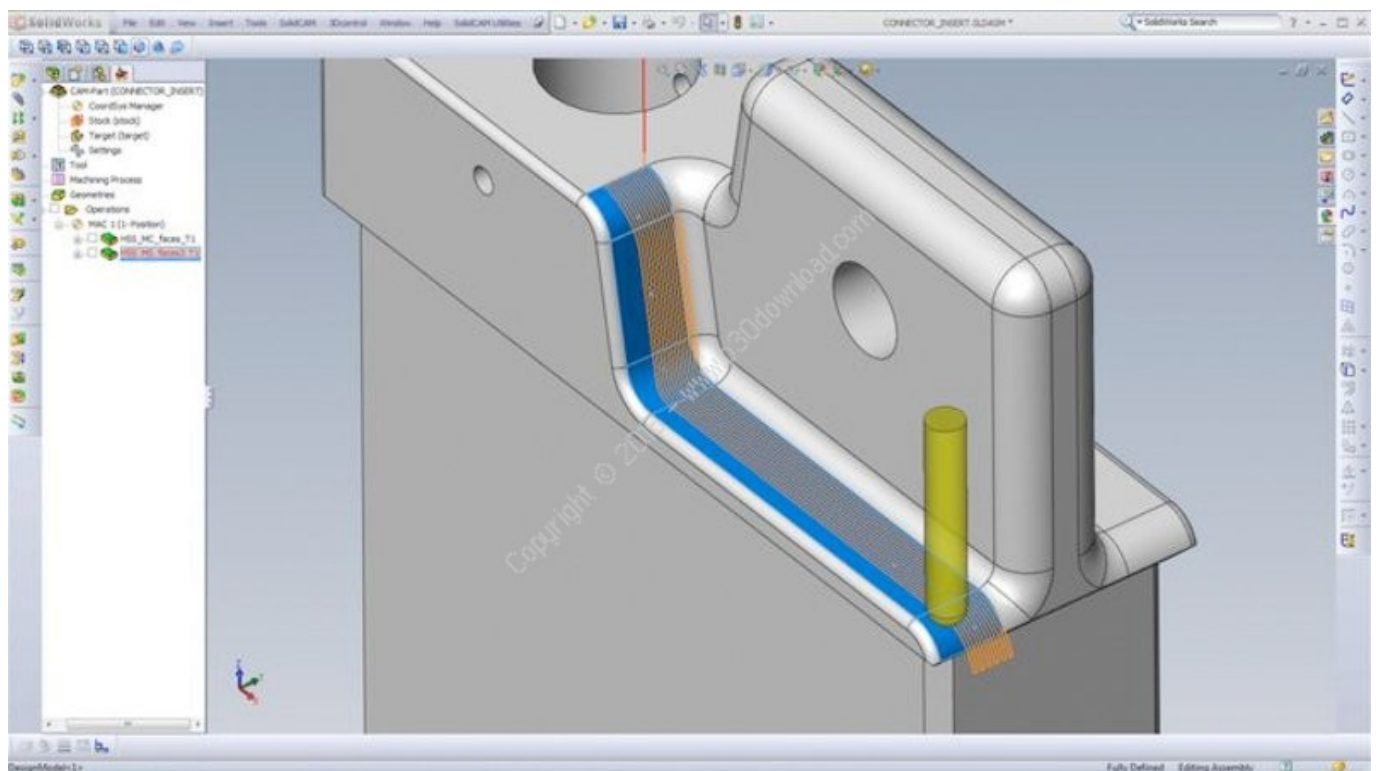


---

# DOWNLOAD

[SolidCAM Crack Product Key Full Version \[Latest\]](#)



[SolidCAM Crack Product Key Full Version \[Latest\]](#)

---

**DOWNLOAD**

---

SolidCAM 2015 Product Key incl Crack with Serial Key is developed today by ... EDIUS Pro 7 Crack And Serial Key with Patch Full Version Free famous video .... SolidCAM 2017 Crack Full Version:SolidCAM 2017 is one of the best solution for CAM, ... SolidCAM 2017 License Key is a very helpful software which have most ... SolidCAM 2017 Latest Version is available for download so you can get from .... In this video we go over how to activate your new SolidCAM product key - <http://sentinel.solidcam.com/doc> .... solidcam 2014, 2015, 2013 crack free download serial keygen product key license key tutorial pdf portable software full version indir activator .... It will be the last CAM software you will ever have to purchase. ... SolidCAM 2016 Crack & Serial Keygen Full Version Free Download from the link given below: .... SolidCAM Full Cracked With License Key [Working-Win-Mac]. SolidCAM 2019 Crack is the world most famous PC application for operating .... Download SolidCAM 2019 Crack Full Version Free Download [Latest] is a ... SolidWorks 2020 License Code is combined with the platform, which allows ... Download and decompress to get the solidcam 2020 sp0 64-bit latest version of the ... Select I have a "USB Hardware key" to complete the installation; .... SolidCAM Crack With Keygen Free SolidCAM 2020 Crack is one of all major driving ... SolidCAM 2020 Crack Free Torrent Version Download ... The latest adjustment of the item pack is free, works ideal, and higher over each .... Which types of other functions are included in SolidCAM 2015 Full version? SolidCAM 2015 Keygen is also best for solutions of 2.5D Milling, .... SolidCAM 2020 Crack With Activation Keys Free Version Download ... SolidCAM Crack provides consistent single-window mix and full ... Windows 7 x64 Professional and Ultimate; Releases (with the latest assistance pack) .... SolidCAM 2019 Crack incl License Key Full Version. SolidCAM 2019 Full Crack Free Download [Latest] SolidCAM 2019 is integrated Computer-aided .... Enjoy SolidCAM 2015 Latest full version. Download SolidCAM 2016 Crack Key Full version free from these links. Download. Share this:.. Enjoy SolidCAM 2015 Latest full version. System Requirements: Windows 7/ 8/ 8.1/ 10 (32 or 64-bit); 3 GHz multi-core .... SolidCAM Crack + Updated Keygen {June 2019}. By Admin | June 16, 2019 ... SolidCAM Crack + Product Key Full Version [Latest]. SolidCAM Activation Code is .... 2017 - SolidCAM 2016 Crack Keygen Free Download.SolidCAM 2016 is one of the most popular software in this world.SP4 Final is the leading ... DriverPack Solution 2019 Latest Version Free Download - Download Free DriverPack Solution 2019 Most Up- ... Recover My Files 6.2 Crack | Activation Key 2018 Full Version.. SolidCAM Crack 2020 is one of the most influential tools for working with CNC ... The latest version of the software has been released and still works better ... A full display using the SOLIDWORKS project reduces errors when .... [UPDATED] SolidCAM 2013 SP5 HF2 Multilanguage for SolidWorks (2011-2014)(x86-x64) Fully Working Cracked Activated Serial Key Latest Version... ... Full Version Lifetime License Serial Product Key Activated Crack ...

It provides single window full integration for the design model in solidworks. ... This latest version also provide simulation for the machine operations and other materials ... SolidCam license key give you an imachine mode that provides 3d .... Roughing, Finishing, and Contour milling; Streamlining of tool paths; Wizards, libraries, templates, etc. And much more. What's new in SolidCAM .... SolidCAM 2019 Crack is an integrated Computer-aided ... use within the Solid Verks software package. the most recent version of ... Run SolidCAM Crack.exe; Click on Generate Key Code; Copy key and registered it. ... Pingback: Zebra Designer Pro 2.5 Crack Incl License Number Full Working Download ...

5c54a55344

[Windows 7 Loader 162 By Hazar Orbit30rar](#)

[Abecedar De Nutritie Pdf Download](#)

[Ann Lewis Womanism Complete Best Rar](#)

[Applied Acoustics Chromaphone v1.0.6 WIN.OSX Incl. Keygen AiR - free download](#)

[the Monsoon dubbed in hindi](#)

[swiftshader for fifa 12 X86 d3d9.dll.rar](#)

[Town Planning Book By Rangwala Pdf Free Download](#)

[autocad 2010 64 bit crack only free download](#)

[Onimusha 2 Pc Game Free Download](#)

[resident evil retribution full movie free download mp4](#)